

SMT POWER INDUCTORS

ASPI-5612-XXX

* RoHS COMPLIANT



5.9 x 5.9 x 1.05mm

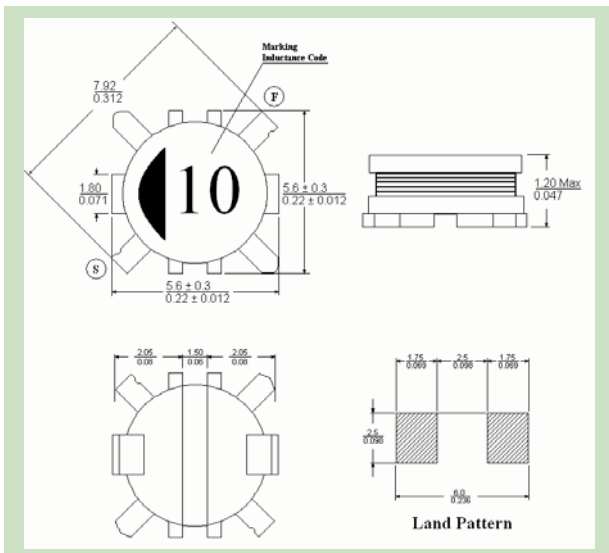
FEATURES & APPLICATIONS:

- Miniature size : Mount area : 5.9x5.9mm, Height : 1.2mm max.
- Available on tape and reel for automatic insertion
- Lead free part available
- Applications : DC to DC converters for cellular phone, LCD driver circuit

STANDARD SPECIFICATIONS:

Part Number	L (μH) ±20%	DCR (Ω) ±20%	Inductance Decrease Current	Temperature Rise Current	Marking
ASPI-5612- 2R2	2.2	0.072	1.40	1.95	◀ 2.2
ASPI-5612- 3R3	3.3	0.086	1.18	1.85	◀ 3.3
ASPI-5612- 4R7	4.7	0.119	0.90	1.60	◀ 4.7
ASPI-5612- 6R8	6.8	0.116	0.73	1.35	◀ 6.8
ASPI-5612- 100	10	0.230	0.62	1.12	◀ 10
ASPI-5612- 150	15	0.340	0.50	0.90	◀ 15
ASPI-5612- 220	22	0.459	0.41	0.80	◀ 22
ASPI-5612- 330	33	0.640	0.39	0.68	◀ 33
ASPI-5612- 470	47	0.899	0.32	0.55	◀ 47
ASPI-5612- 680	68	1.413	0.27	0.41	680
ASPI-5612- 101	100	2.158	0.22	0.33	101
ASPI-5612- 221	220	4.687	0.15	0.23	221
ASPI-5612- 331	330	7.144	0.12	0.18	331
ASPI-5612- 471	470	9.400	0.10	0.16	471
ASPI-5612- 681	680	12.542	0.09	0.14	681
ASPI-5612- 102	1000	21.975	0.09	0.10	102

PHYSICAL CHARACTERISTICS:



TECHNICAL INFORMATION:

- Marking: Value, in μH or equivalent
 - Add -M for L tolerance ±20%
 - Add -T for tape and reel
 - L test at 100KHz, 0.1VRMS
 - Ibc: L drop 10% typ. from the initial value or ΔT=40°C rise max (ASPI-5612-102 IDC: L drop 15% typ)
 - Operating temperature : -40°C ~ + 85°C
 - Electrical specification @25°C
 - Resistance to solder heat : 260°C . 10 SEC.
- Note: All specifications subject to change without notice.**

PACKAGING INFORMATION:

- Parts are packaged on 13" reels.
5000 parts per reel.